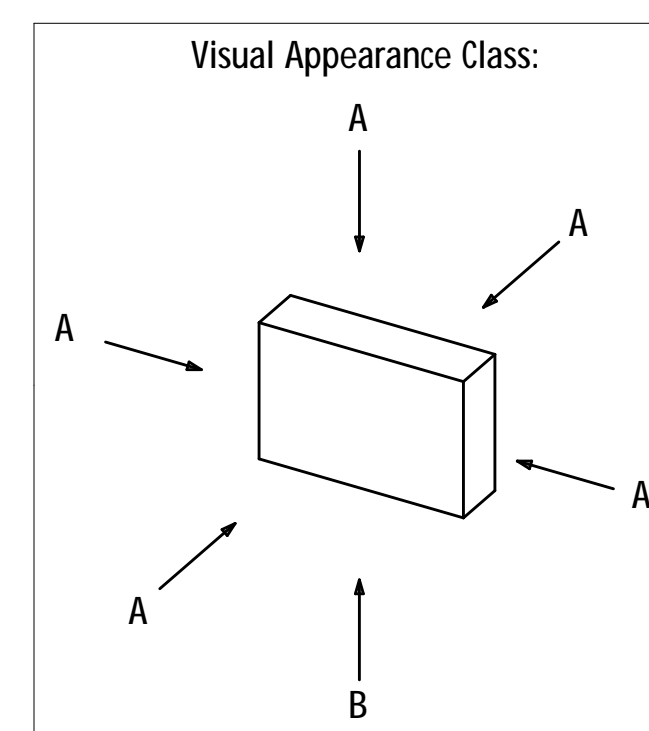
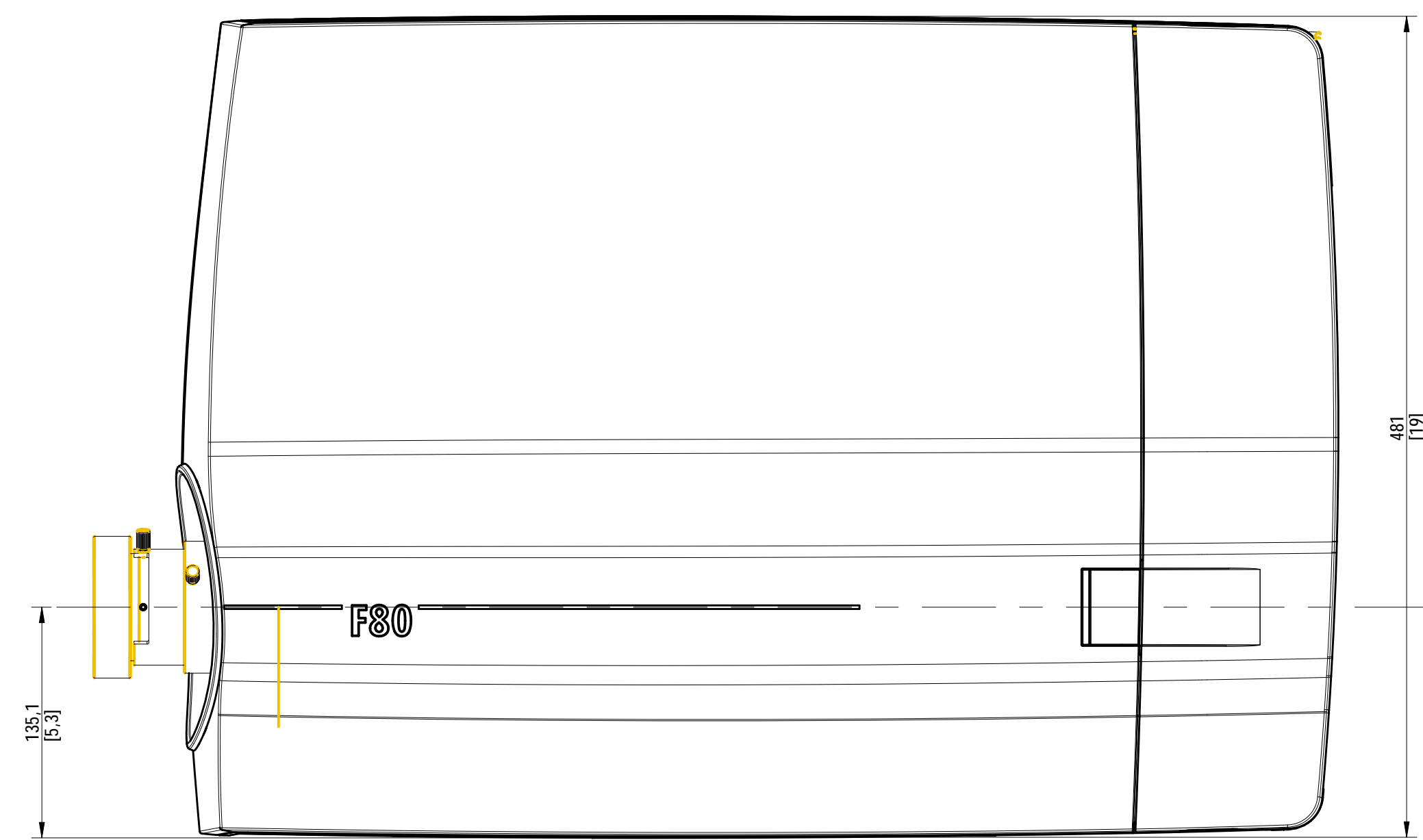
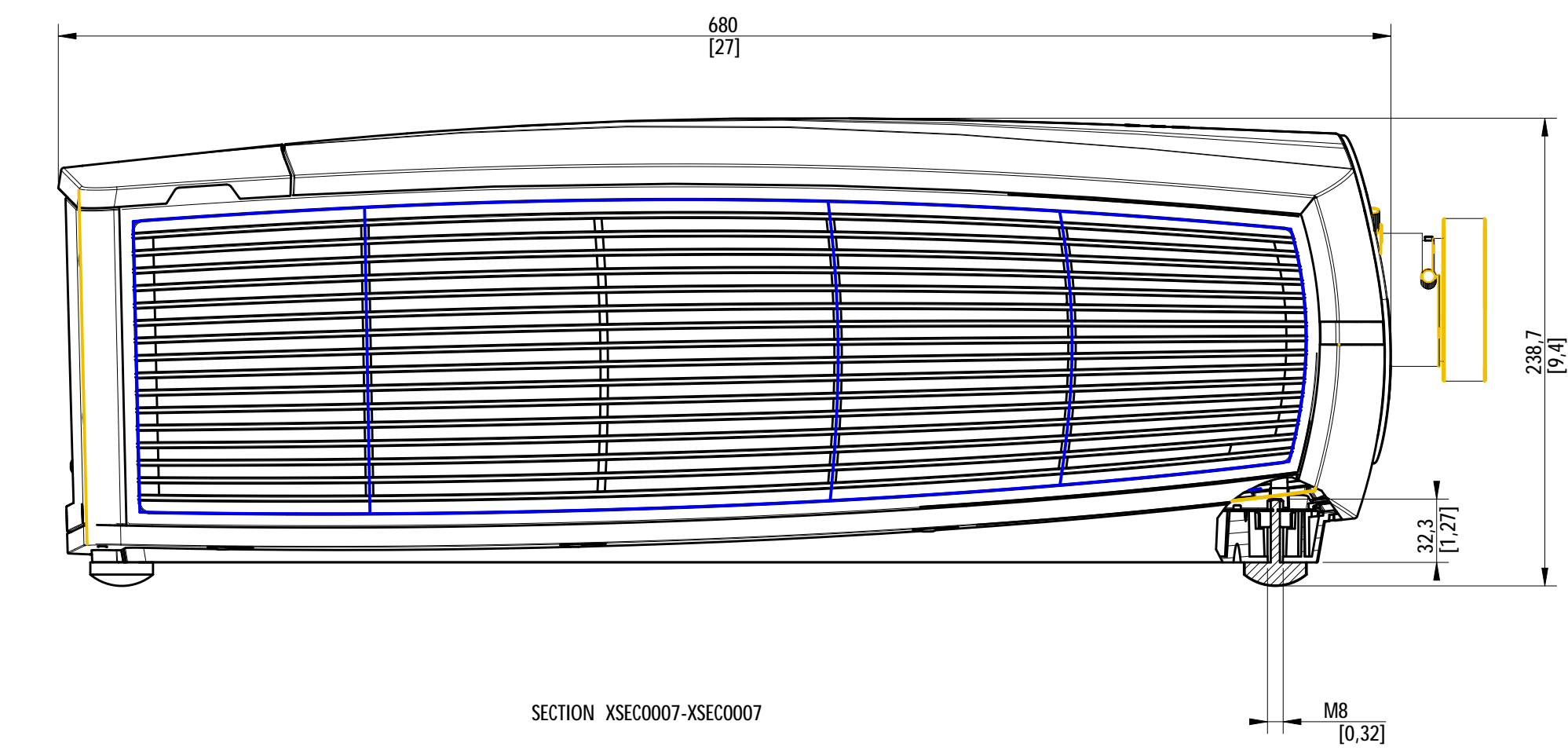
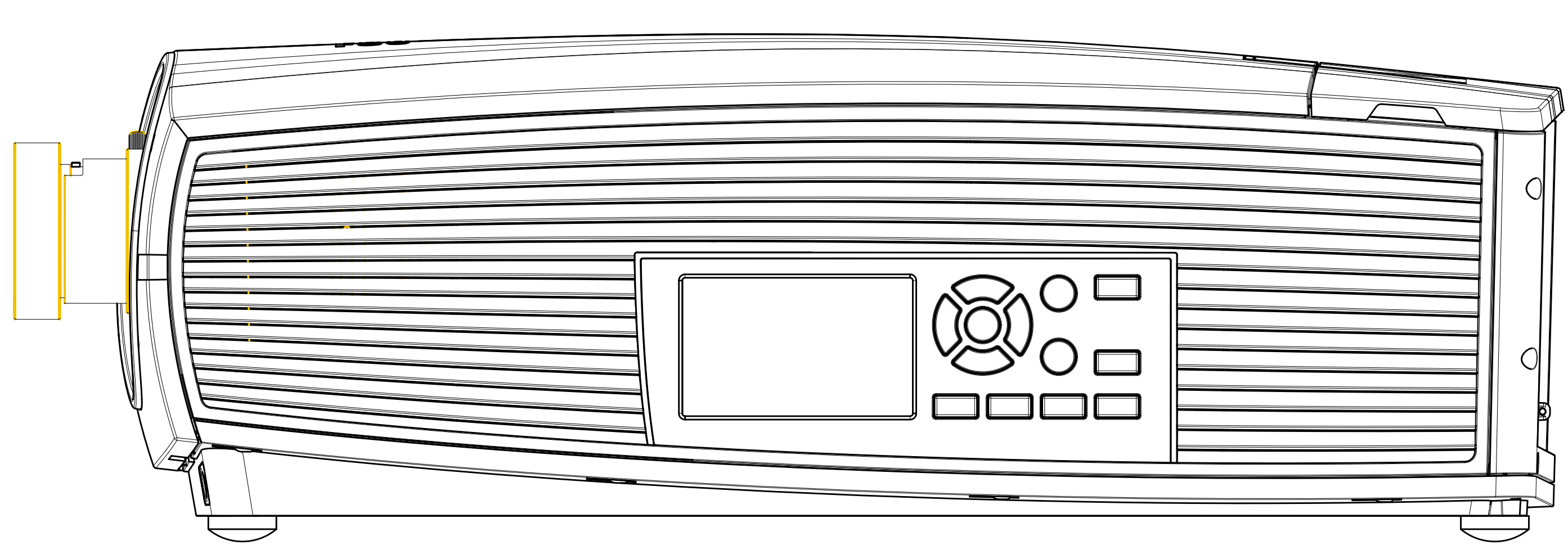
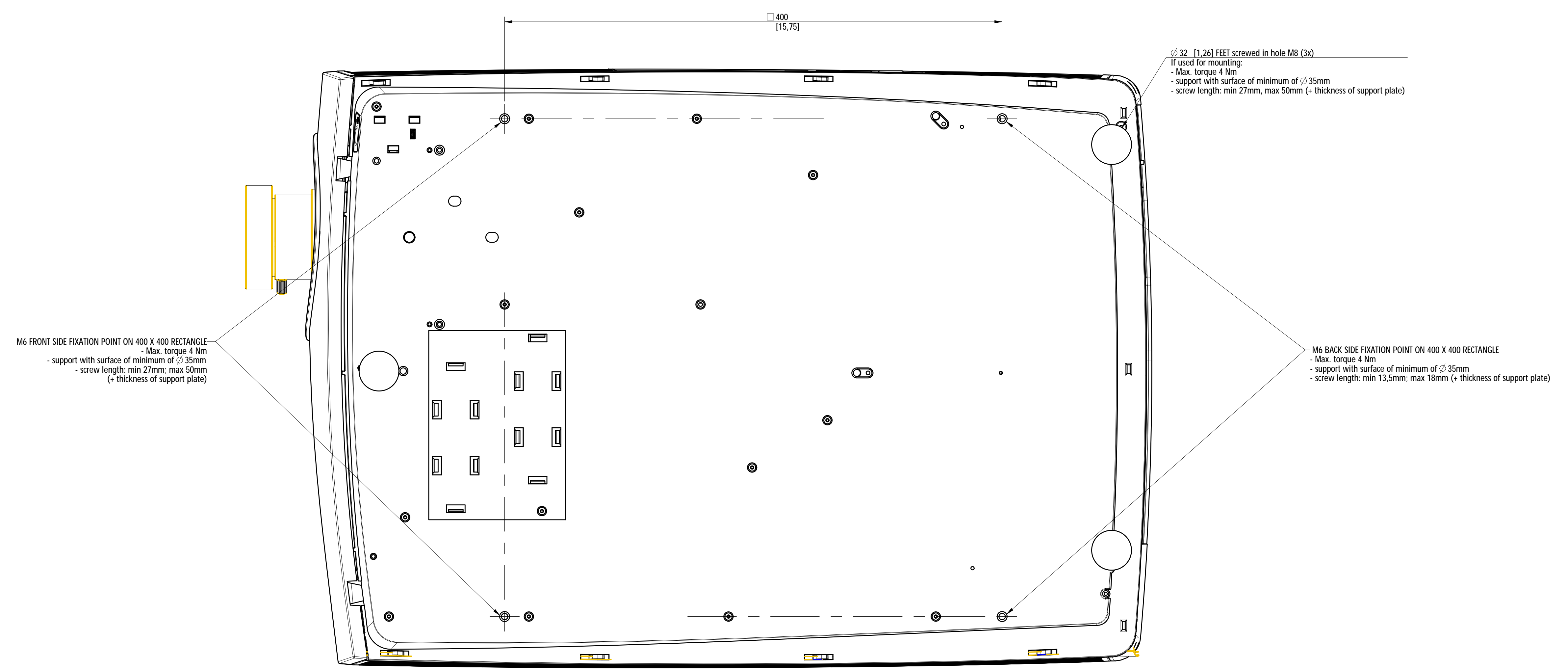


INPUTS

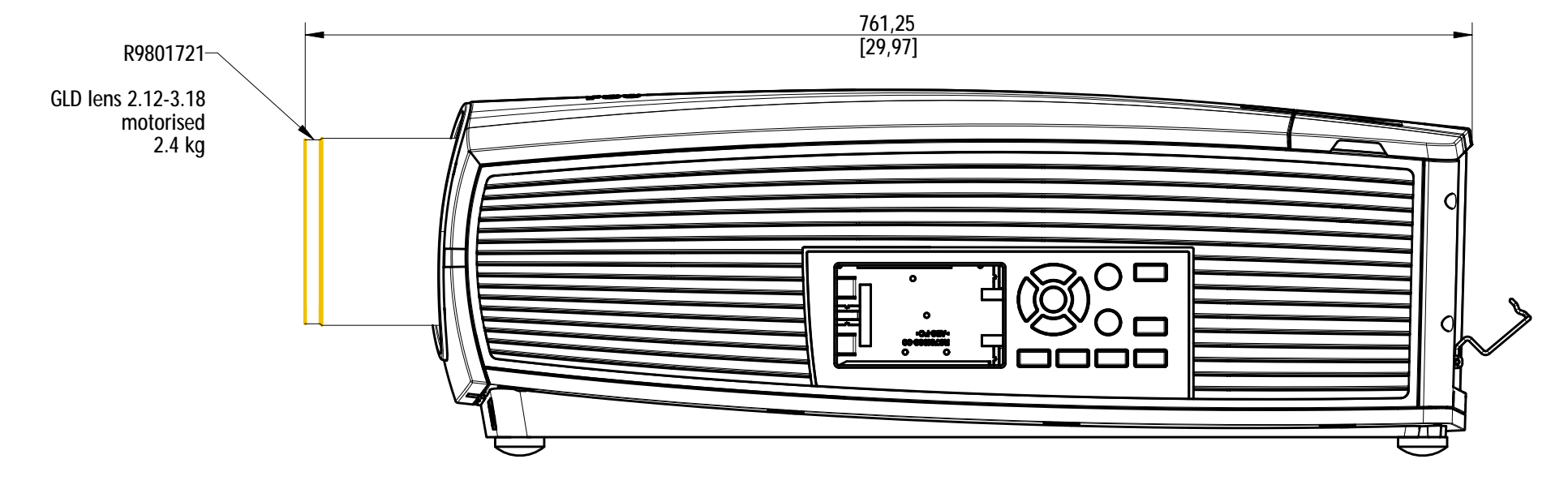
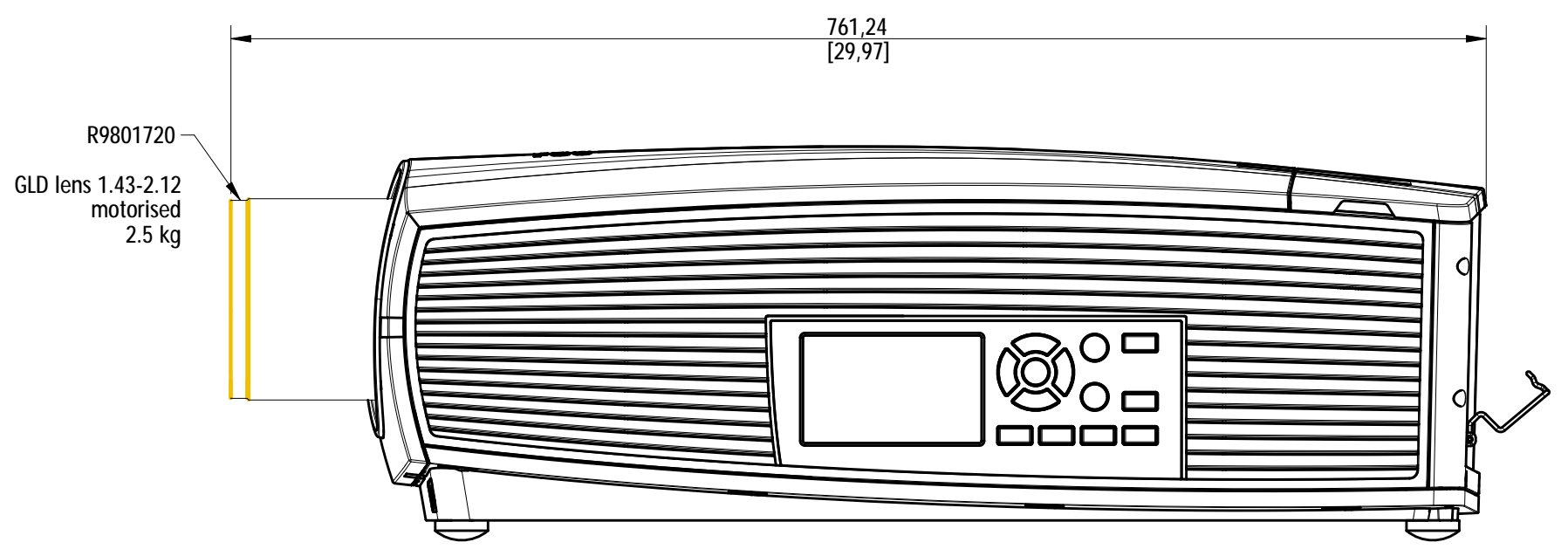
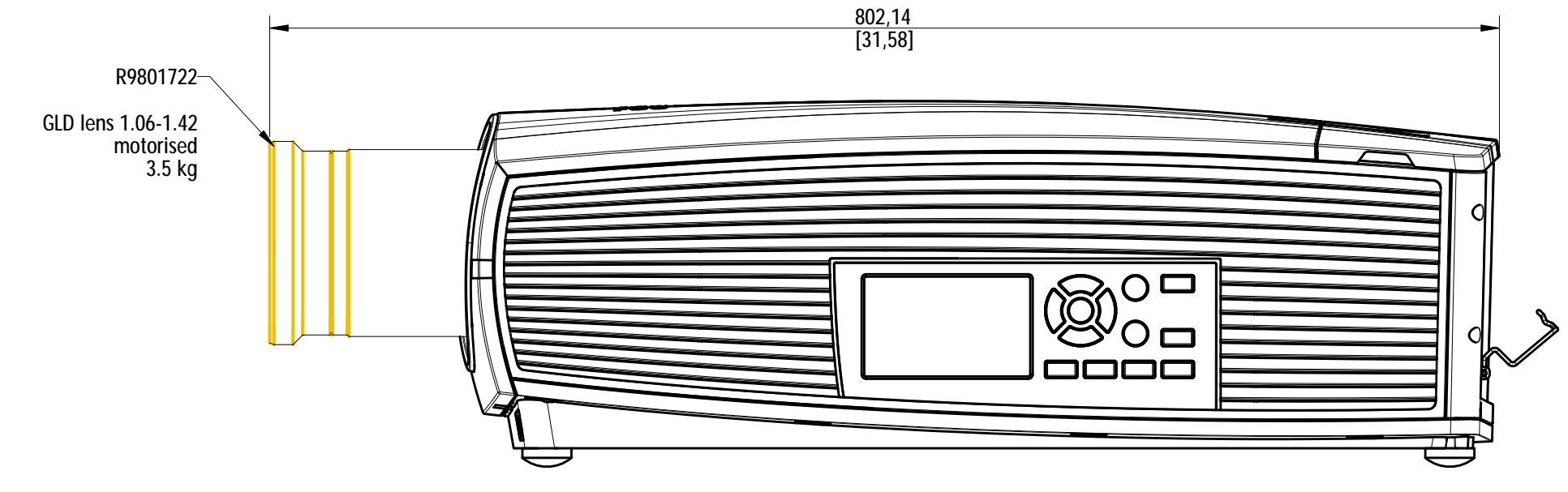
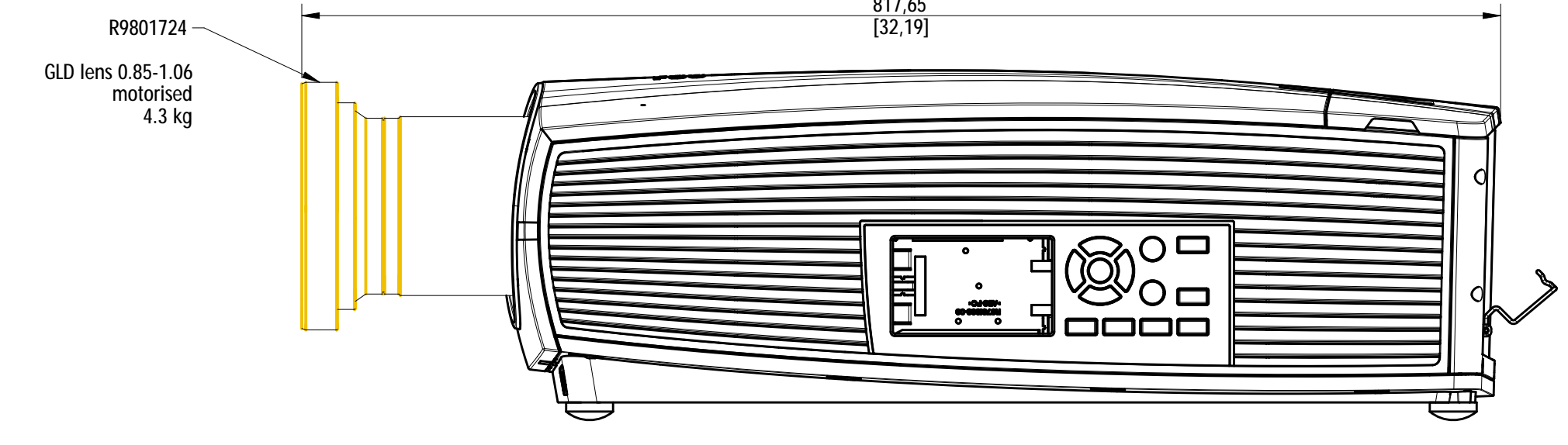
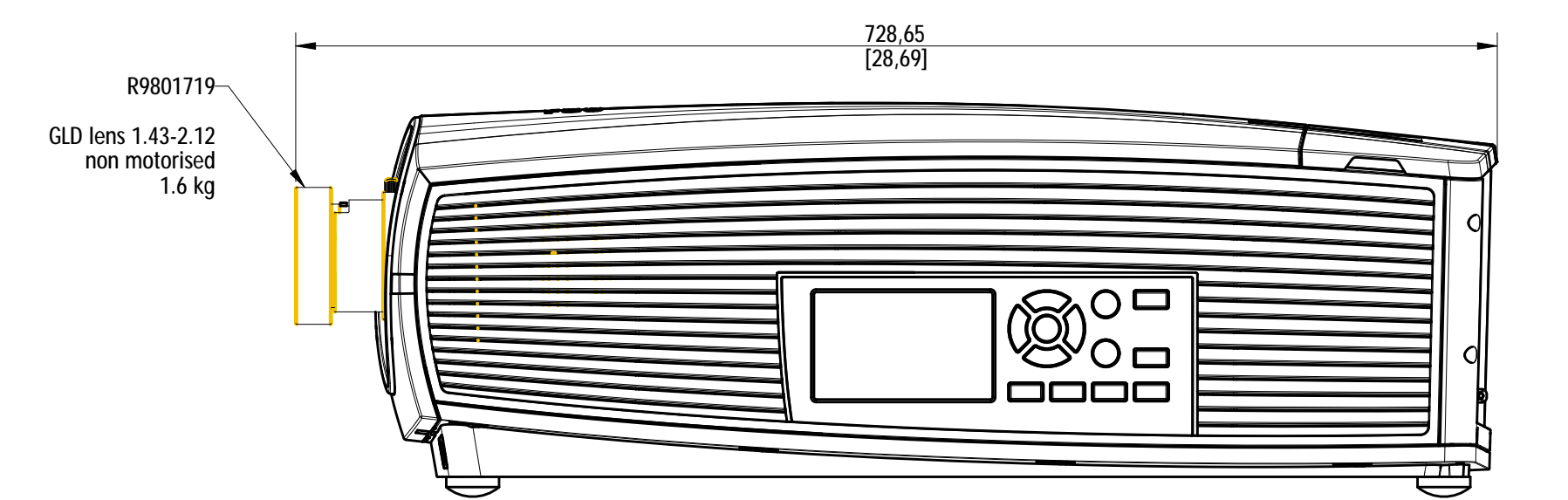
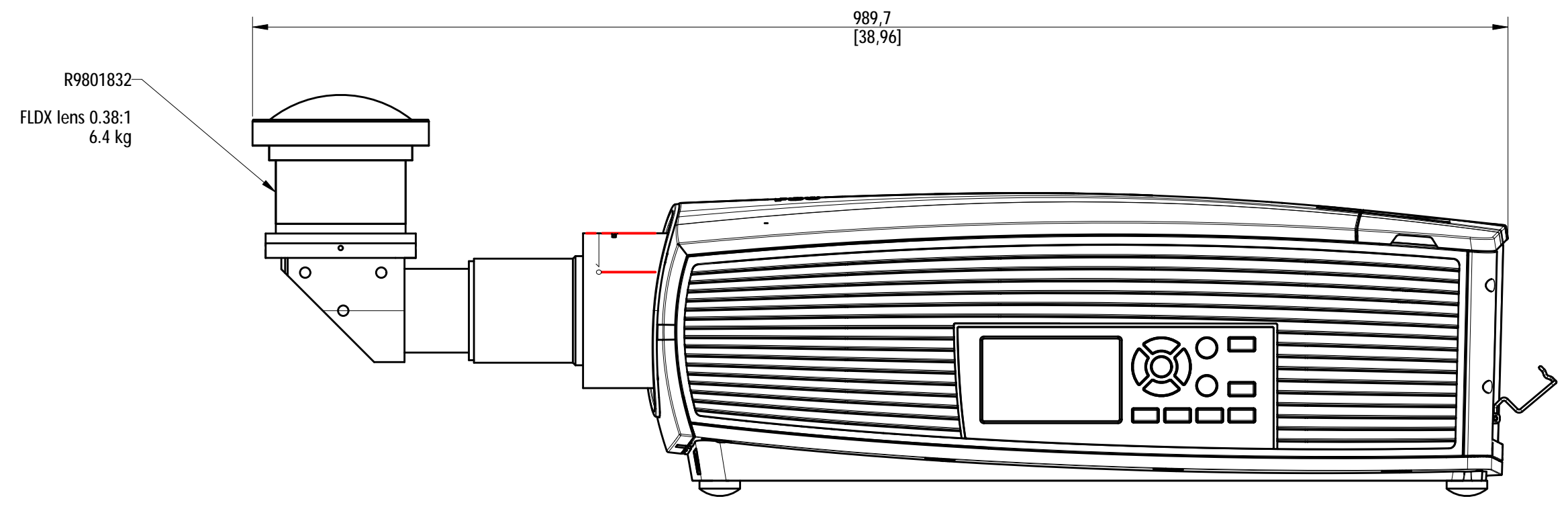
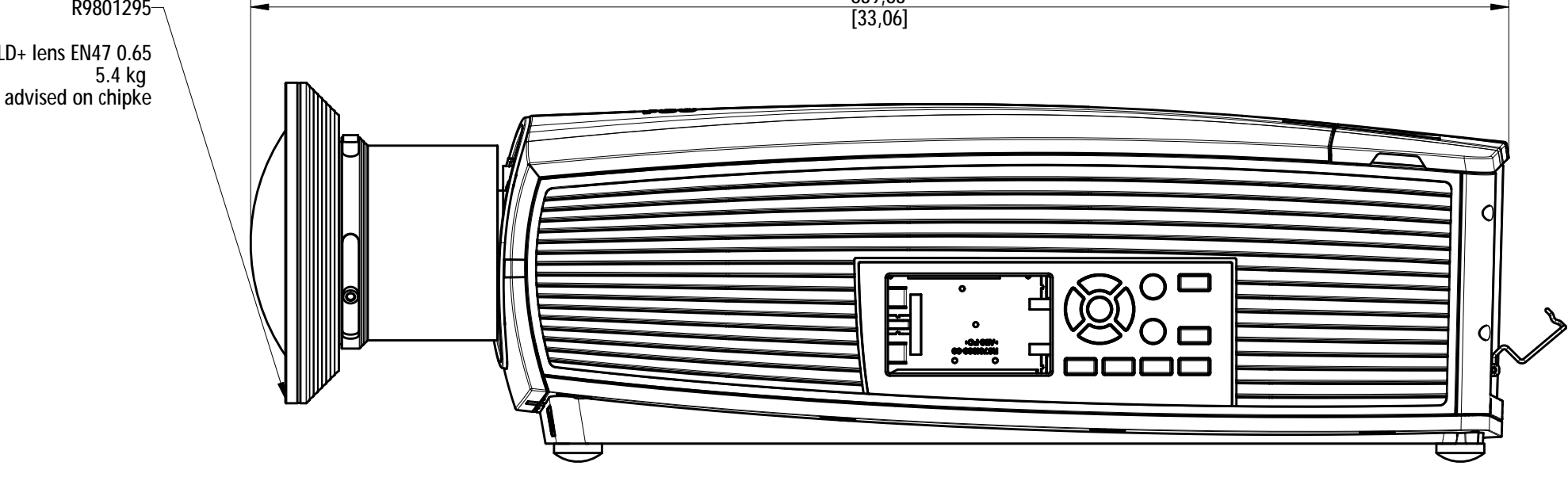
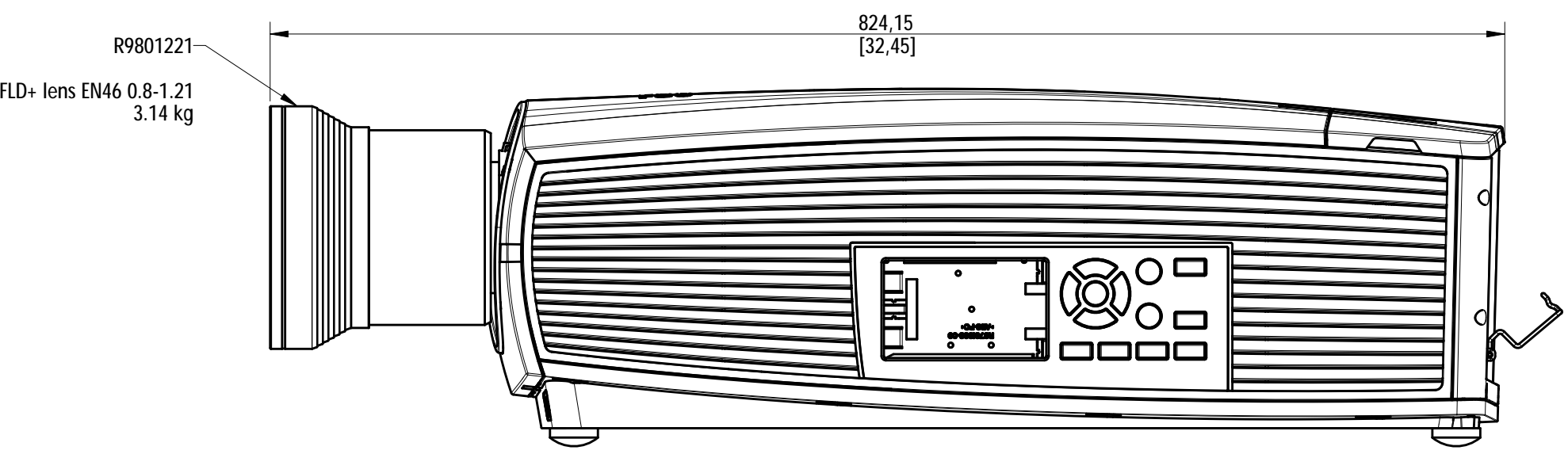
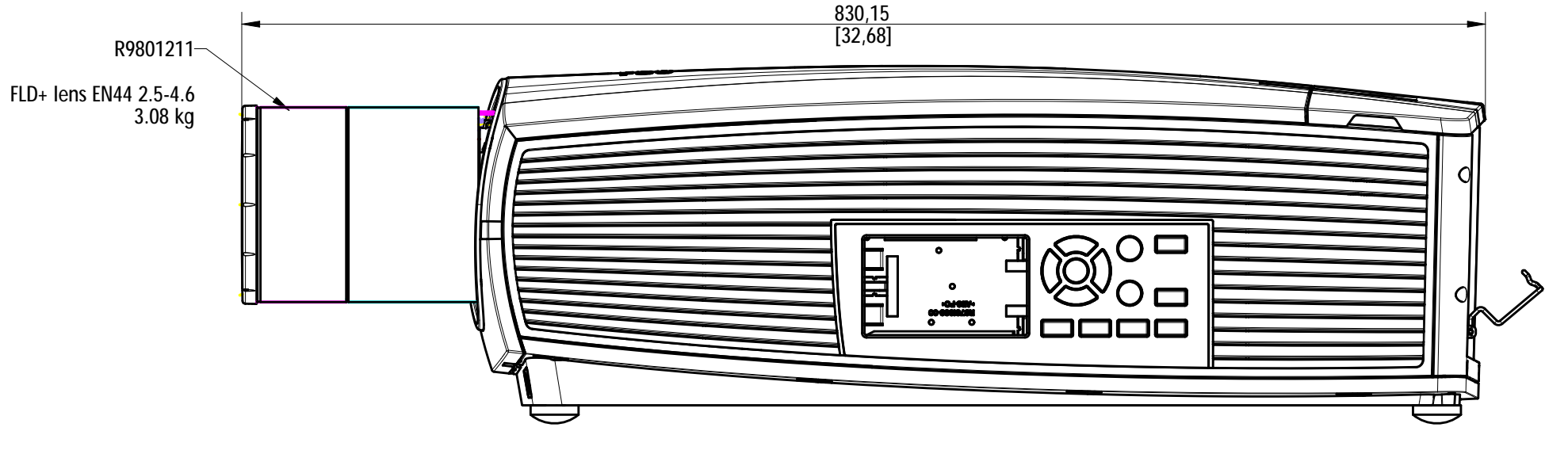
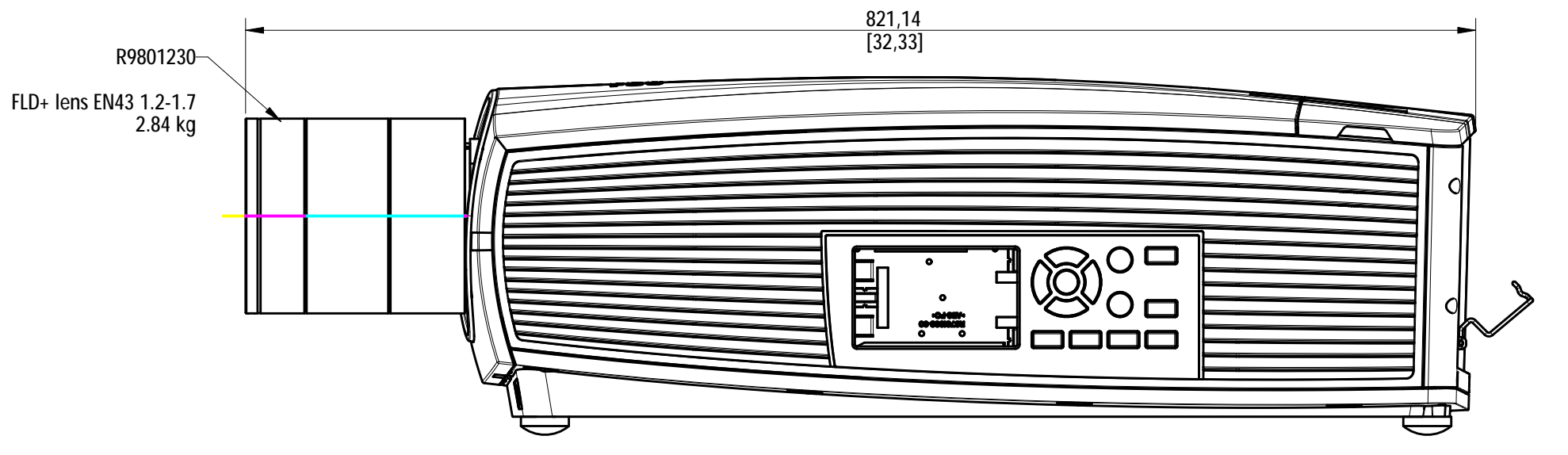
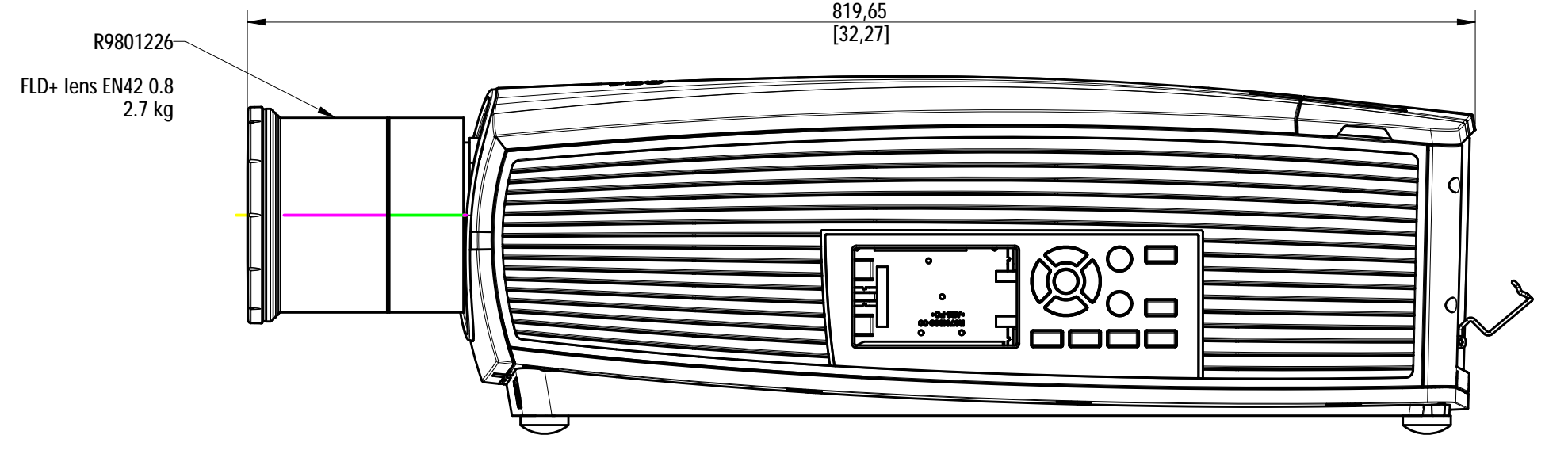
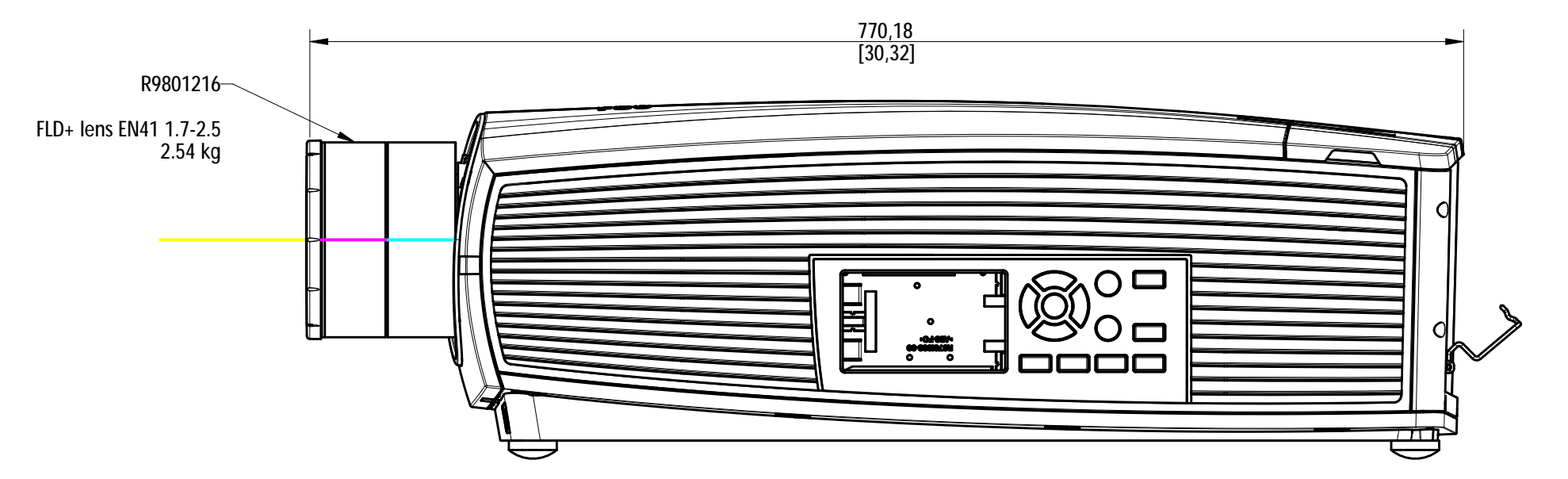
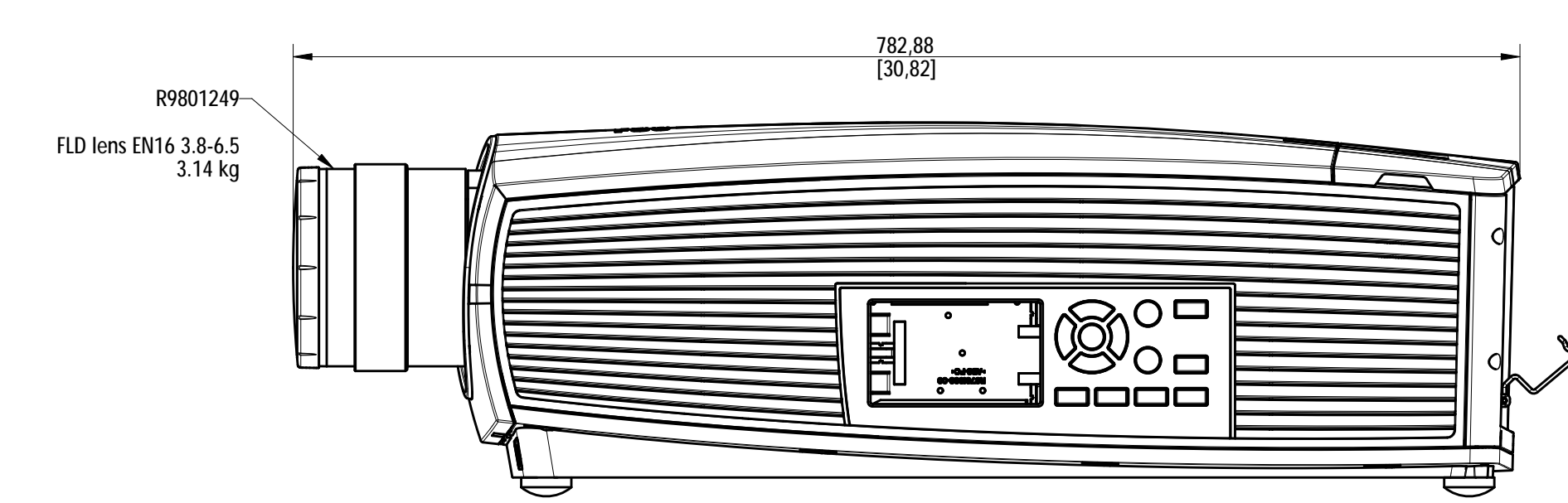
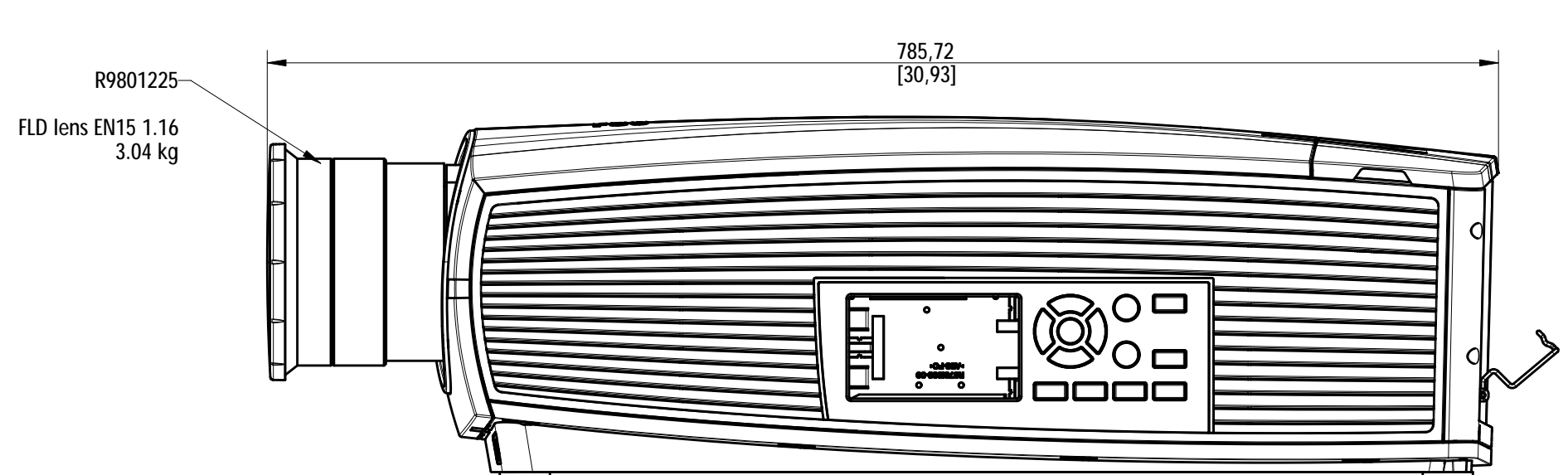
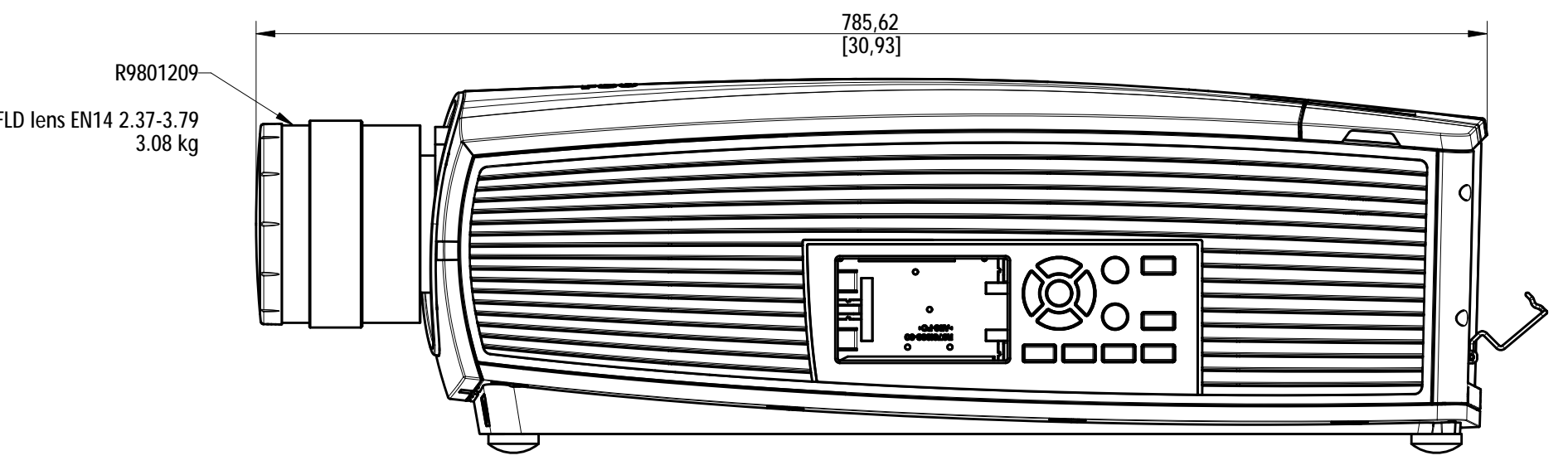
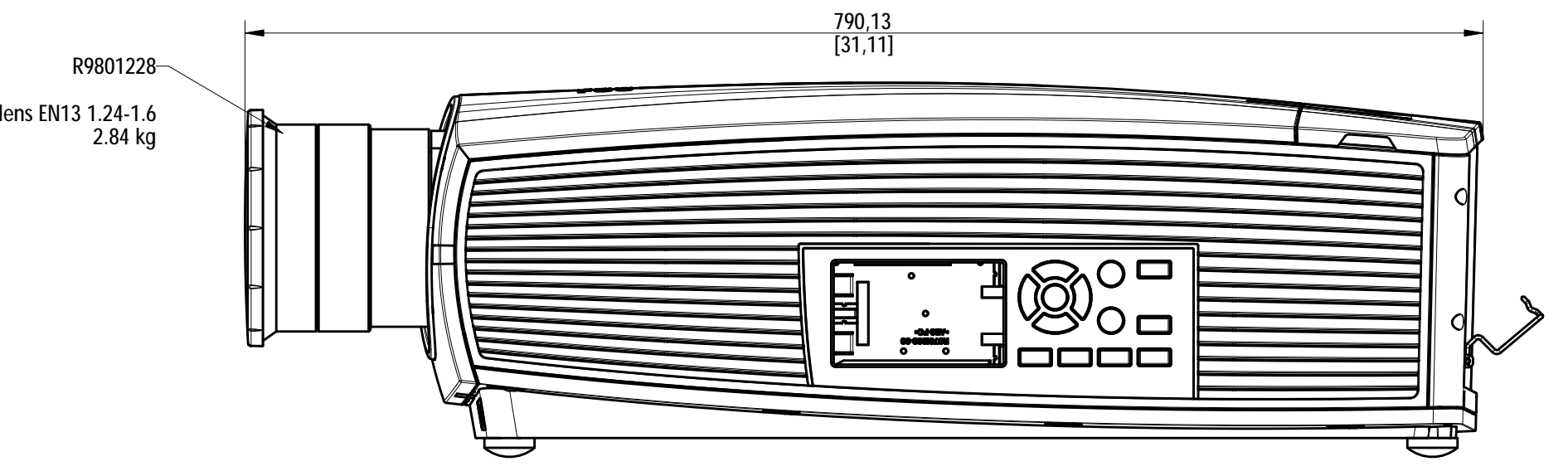
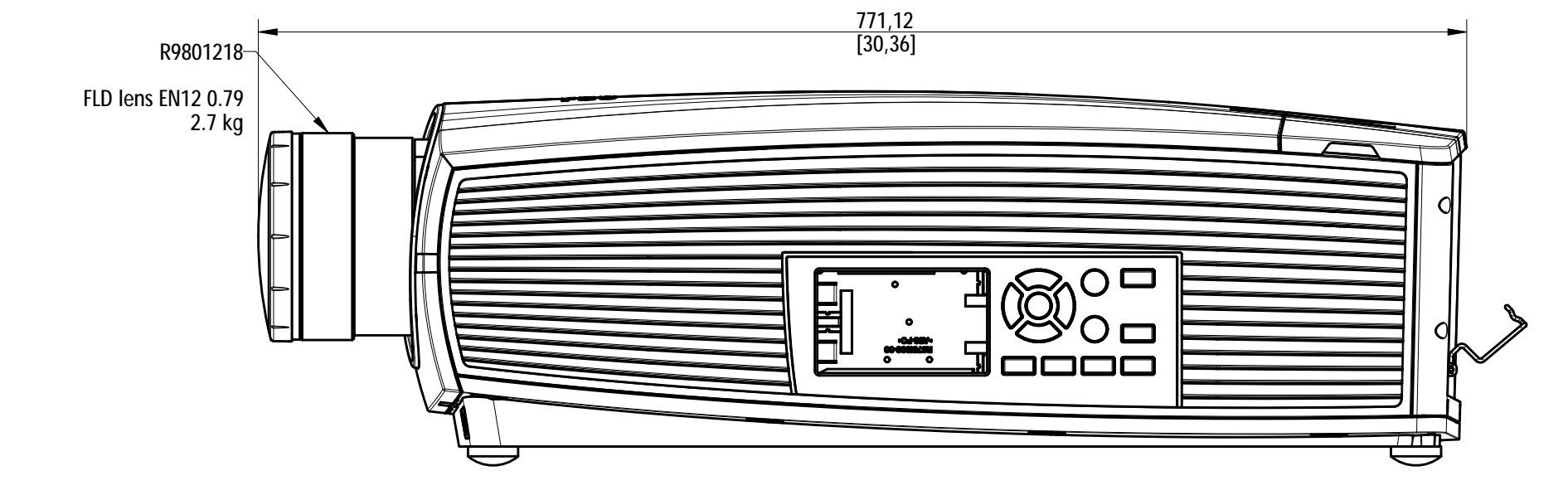
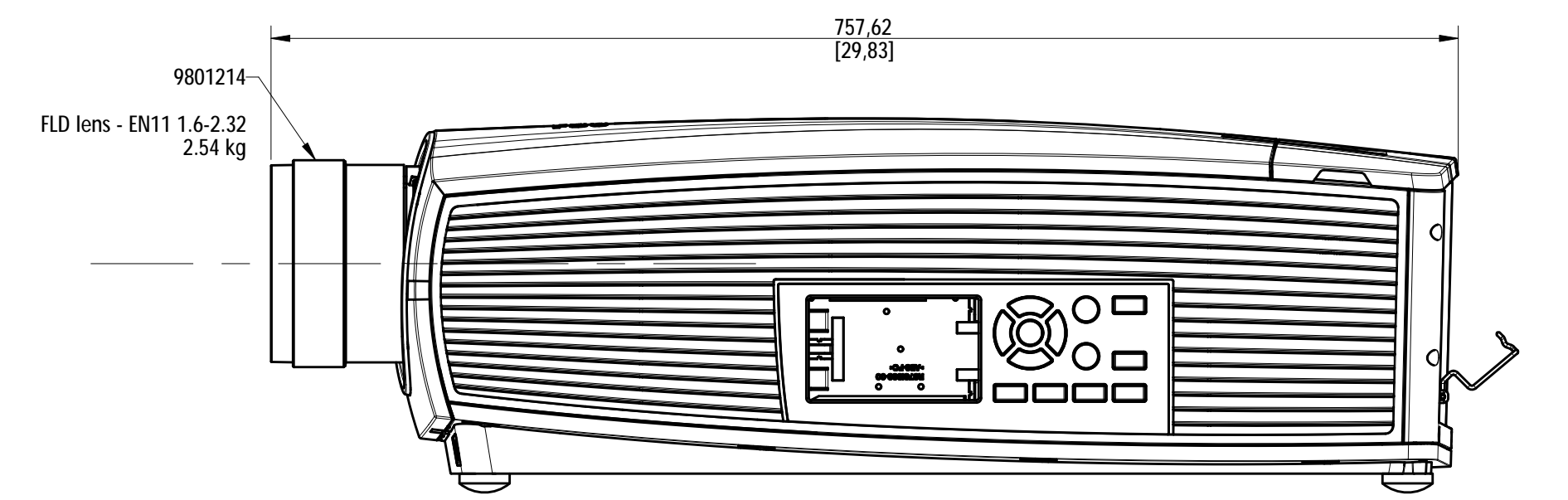
SCALE 1/1



ASSEMBLIES				QAM001/090	
MECHANICAL FIXATIONS: ALL SCREWS: TABLE 1 QAM001/090, except where indicated					
NAME	REV	EDN	DATE	DESCRIPTION	MODIFICATION CURRENT REVISION
DESIGNER				MATERIAL	N/A
APPROVED				25.4	weight without lens
PRICE PER UNIT	33/100	A0		VISUAL APPEARANCE CLASS	
SCALE	SHEET 1 OF 4			BARCO QUALITY STANDARD: QAM 001	
F80				F80 - layout drawing	AF



NAME	REV	EDN	DATE	DESCRIPTION	MODIFICATION	CURRENT REVISION
DESIGNER				MATERIAL	N/A	
APPROVED				+5014902.01	weight without lens	
PROJ. NO.	F80			SCALE	1/2	A0
				VISUAL APPEARANCE CLASS	BARCO QUALITY STANDARD GDM 001	
						R9005952
						AF



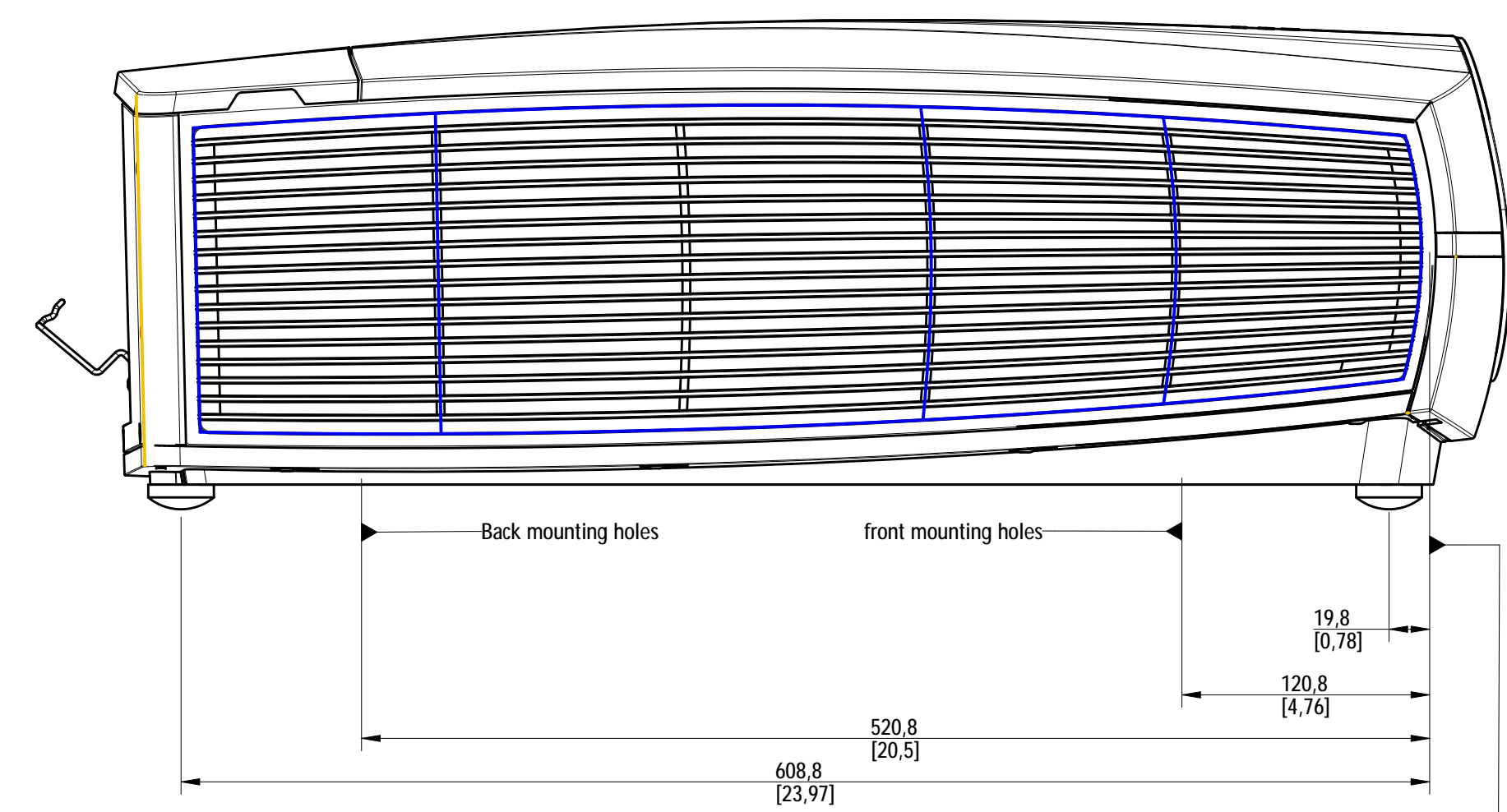
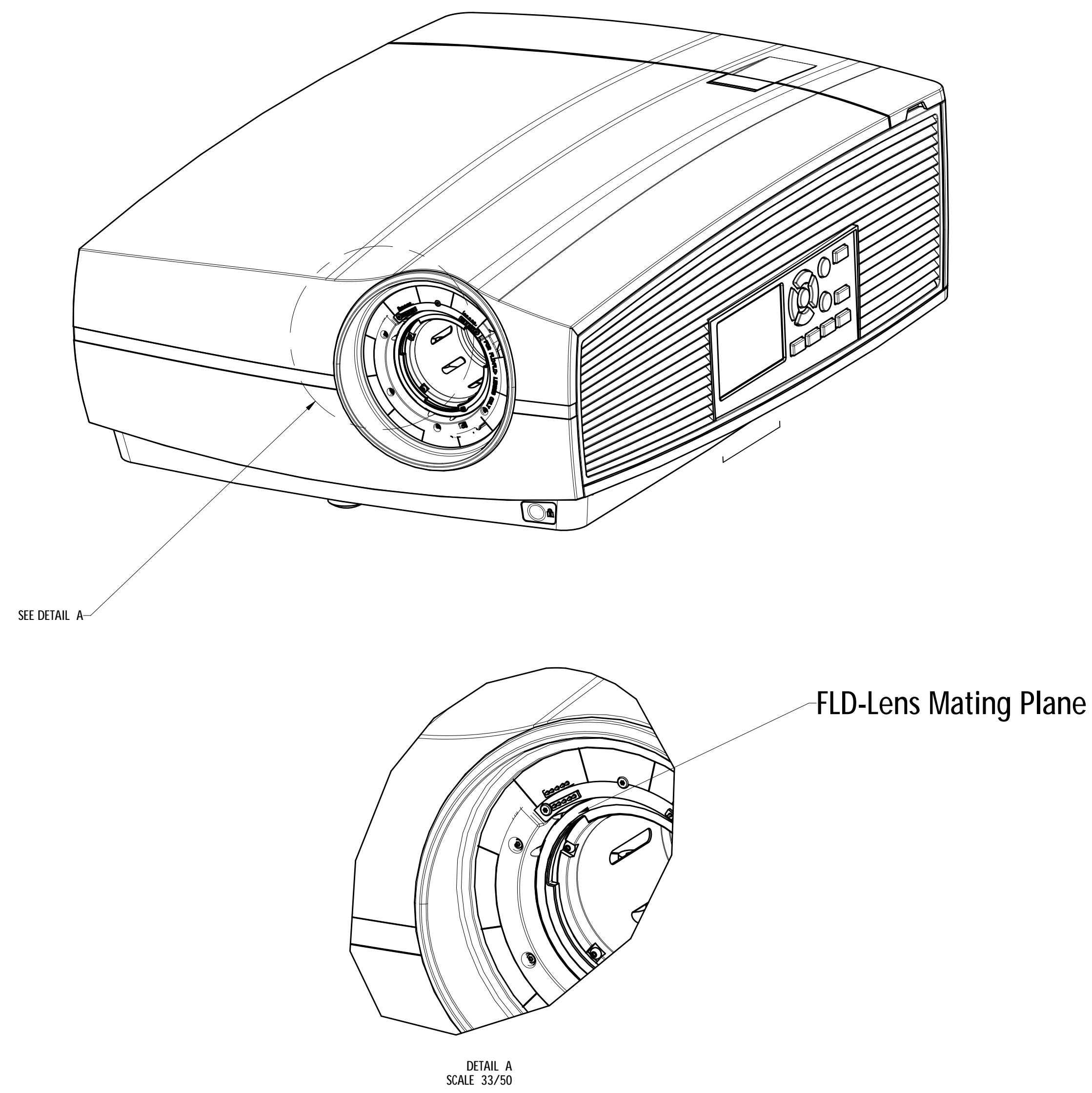
FLD range EN1*

FLD+ range EN4*

GLD range

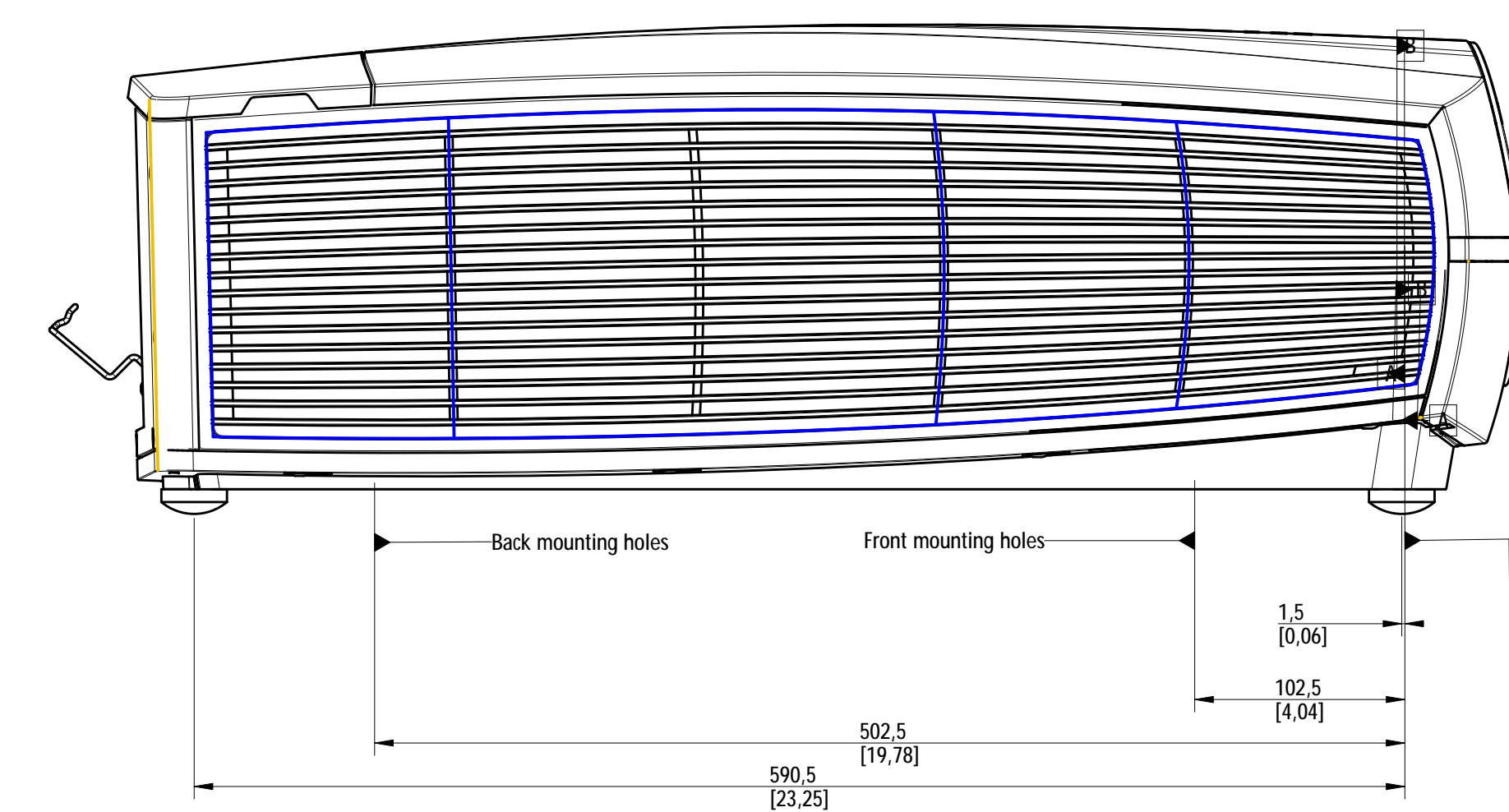
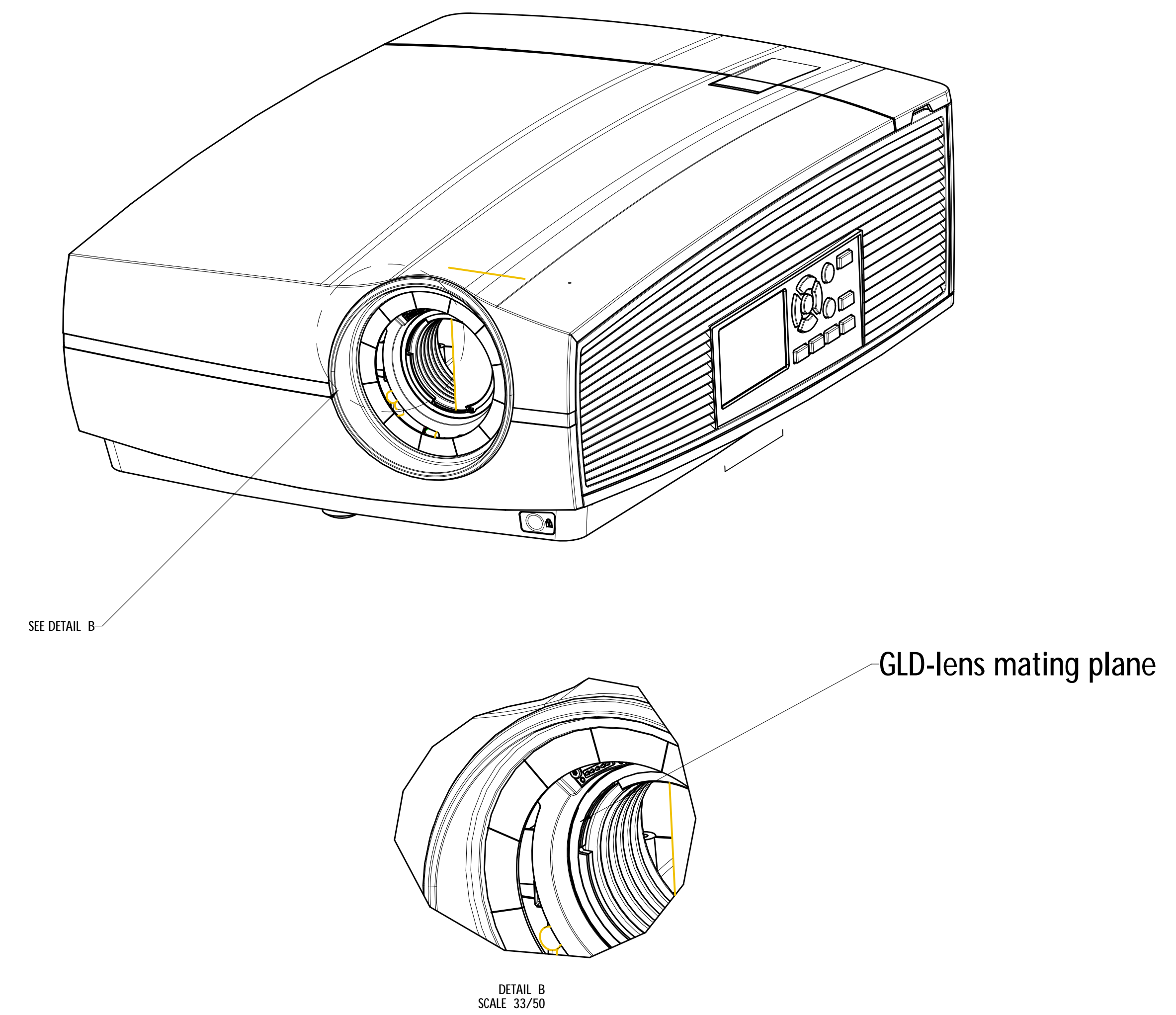
NAME	REV	EDN	DATE	DESCRIPTION	MODIFICATION	CURRENT REVISION
DESIGNER						
APPROVED						
MATERIAL						
PRICE PER UNIT	1/4	A0				
SCALE						
SHEET 3 OF 4				F80		

FLD-lens setup



FLD-lenses mating plane

GLD-lens setup



GLD-lenses mating plane

NAME	REV	EDN	DATE	DESCRIPTION	MODIFICATION	CURRENT REVISION
DESIGNER				MATERIAL	N/A	
APPROVED				weight	without lens	
PRICE PER UNIT	33/100	A0		VISUAL APPEARANCE CLASS		
SCALE	SHEET 4 OF 4			BARCO QUALITY STANDARD: QAM 001		
F80						F80-layout drawing